

## Gas-Fired Stationary Crucible/ Pot Furnace

The CRU/CIP series crucible furnaces provide efficient and robust custom-built equipment. Lindberg/MPH furnaces can be adapted for use for a multitude of metals, fuel inputs, with controls designed for required for your application.

### Non-Ferrous Materials

- Aluminum
- Brass
- Copper
- Lead
- Lava
- Gold
- Silver
- Zinc

### Burner Control

- Low-High
- Full Modulation

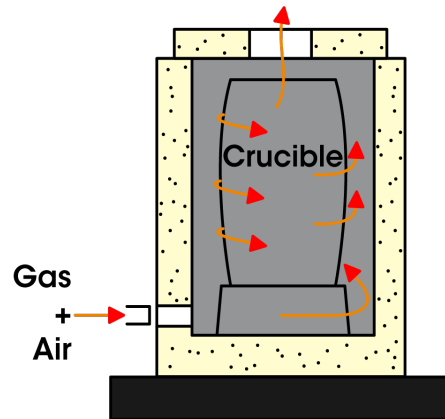
### Fuel Input

- Natural Gas
- Propane

### Lindberg/MPH can supply all the equipment necessary for your company's success

Typical additional equipment includes:

- Silicon Carbide \ Clay Graphite Crucibles
- Cast Iron Pots
- Hydraulically lifted lids
- Octagonal Covers



A burner assembly spirals heat around a cast iron pot or crucible to provide maximal efficiency. The exhaust gas exits the system through a side flue or the top cover of the furnace.

Metal is general unloaded through use of a pump or ladle.



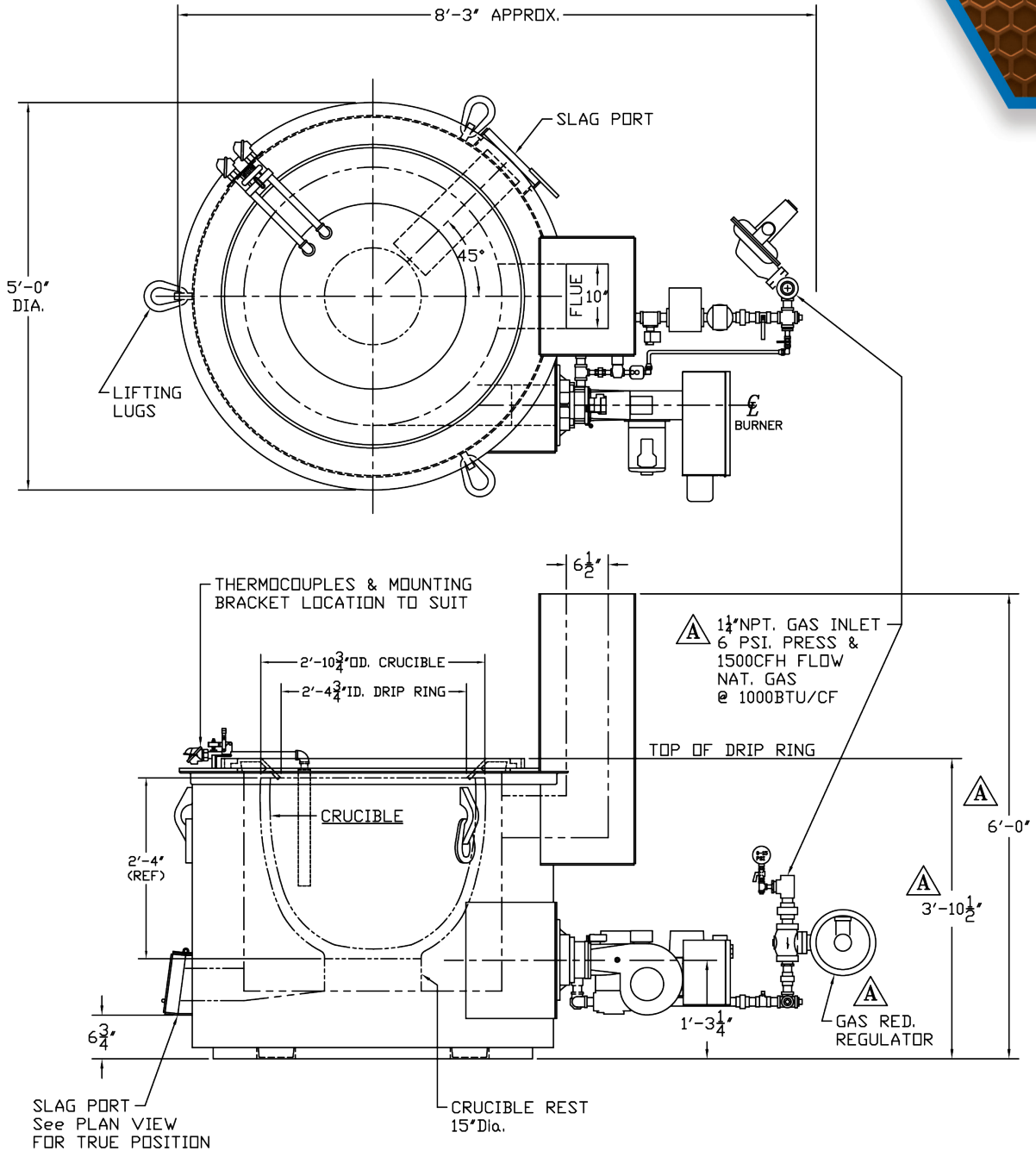
**Lindberg/MPH**  
Phone: (269) 849-2700

P.O. Box 131, 3827 Riverside Road Riverside, MI 49084

• Fax: (269) 849-3021 • [lindbergmph@lindbergmph.com](mailto:lindbergmph@lindbergmph.com)

[www.lindbergmph.com](http://www.lindbergmph.com)

# LINDBERG/MPH



**TPS**  
Lindberg/MPH is a brand of  
Thermal Product Solutions, LLC

**Lindberg/MPH**  
Phone: (269) 849-2700

P.O. Box 131, 3827 Riverside Road Riverside, MI 49084

Fax: (269) 849-3021 • lindbergmph@lindbergmph.com

[www.lindbergmph.com](http://www.lindbergmph.com)